

MODEL 24

PRECISION OPEN FACE / PNEUMATIC LIFT FLAT LAPPING MACHINE








Open face version (left), pneumatic lift version



PLATE-DIAMETER 24" (610 MM)
VERSIONS: 3 OR 4 RINGS
TYPE: SINGLE SIDED

MEETING TODAY'S PRECISION SURFACING REQUIREMENTS

-  Available in an open face or a pneumatic lift version, each optionally with 3 or 4 rings
-  Can be used to process a wide variety of materials including semiconductors, electro-optics, ceramics, metals and other specialty products
-  Heavy duty, tubular steel, floor standing base with integrally mounted drive motor, reduction gearbox, abrasive storage, abrasive distribution system, complete with control panel
-  Heavy duty work table, vertically adjustable
-  Conditioning rings with adjustable roller bearing yoke assemblies to maintain lap plate flatness

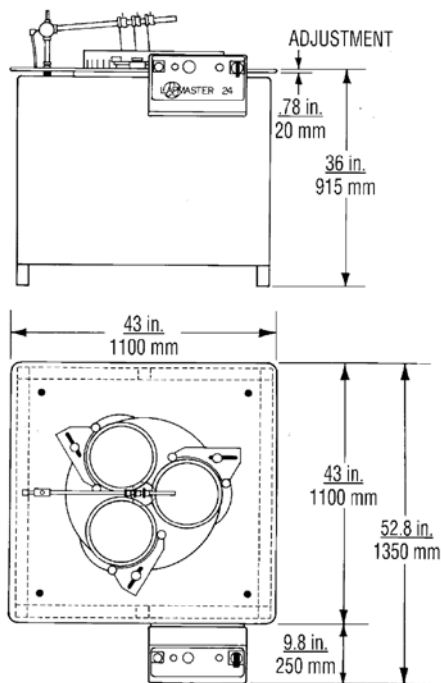
ACHIEVING HIGH STANDARDS OF FLATNESS AND SURFACE FINISH

HIGHLIGHTS MODEL 24 (OPEN FACE / PNEUMATIC LIFT)

- ☑ Pneumatic lift version: range of loads for pressure weights (machine connected to 4 bar supply) 15 kg / 33 lbs to 85 kg / 187 lbs. Controls for raise / lower are of two hand anti-tie down type
- ☑ Abrasive system complete with pump, tank and multiple point distribution
- ☑ Electrical system wired for: 230V / 460V, 60 Hz, 3 phase with operator controls at 110V complies with EN 60 204
- ☑ High torque drive unit consisting of 1.5 kW / 2hp motor and heavy duty, sealed, maintenance-free gear reducer. Lap plate speed 70 rpm

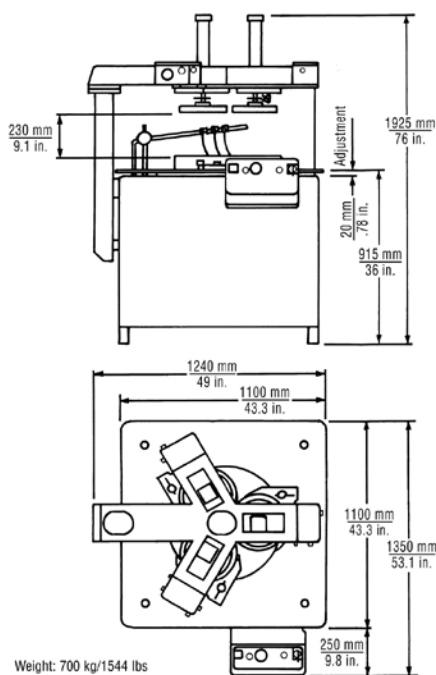
OPTIONAL FEATURES

- ☑ Variable speed lap drive 0-70 rpm (using frequency inverter)
- ☑ Water cooled lap plates
- ☑ Non-standard voltages
- ☑ Custom machines and tooling
- ☑ Enlarged, moveable work table to improve multiple parts handling



Weight: 555 kg / 1224 lbs
 Export packed in one wooden crate:
 1760mm x 1240mm x 1530mm
 69 in. x 49 in. x 80 in.
 Gross weight: 730 kg / 1610 lbs

Open face version



Weight: 700 kg / 1544 lbs
 Export packed in one wooden crate:
 1730mm x 1610mm x 2020mm
 68 in. x 63 in. x 80 in.
 Gross weight: 997 kg / 2198 lbs

Pneumatic lift version

STANDARD SPECIFICATIONS

- High density, cast iron serrated lapping plate 610 mm O.D. x 114 mm I.D. / 24" O.D. x 4.5" I.D.
- Three high density cast iron serrated conditioning rings 286 mm O.D. x 248 mm I.D. / 11.25" O.D. x 9.75" I.D. Wear life 35 mm / 1.4"
- Three work holder blanks
- Three felt pads
- Starter sample of Lapmaster abrasive
- Starter sample of Lapmaster vehicle
- Lap plate lifting tool
- Set of Allen Keys
- Operation and maintenance manual

APPROXIMATE WEIGHT

- Open face: 1224 lbs / 555 kg
- Pneumatic lift: 1544 lbs / 700 kg

APPROXIMATE DIMENSIONS

- Open face: 43" x 52.8" x 36"
- Pneumatic lift: 49" x 53.1" x 76"

GET IN TOUCH WITH US TODAY
TOGETHER WE WILL FIND A SOLUTION
FOR YOUR REQUIREMENTS

LAPMASTER WOLTERS

Phone: 1 877 352 8637
 sales@lapmaster-wolters.com
 www.lapmaster-wolters.com